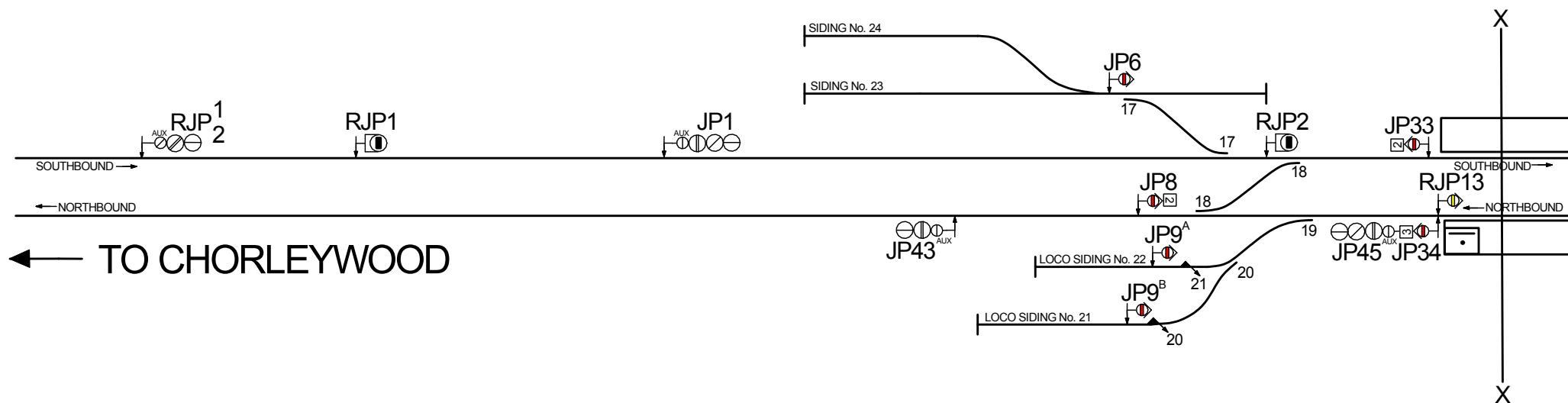


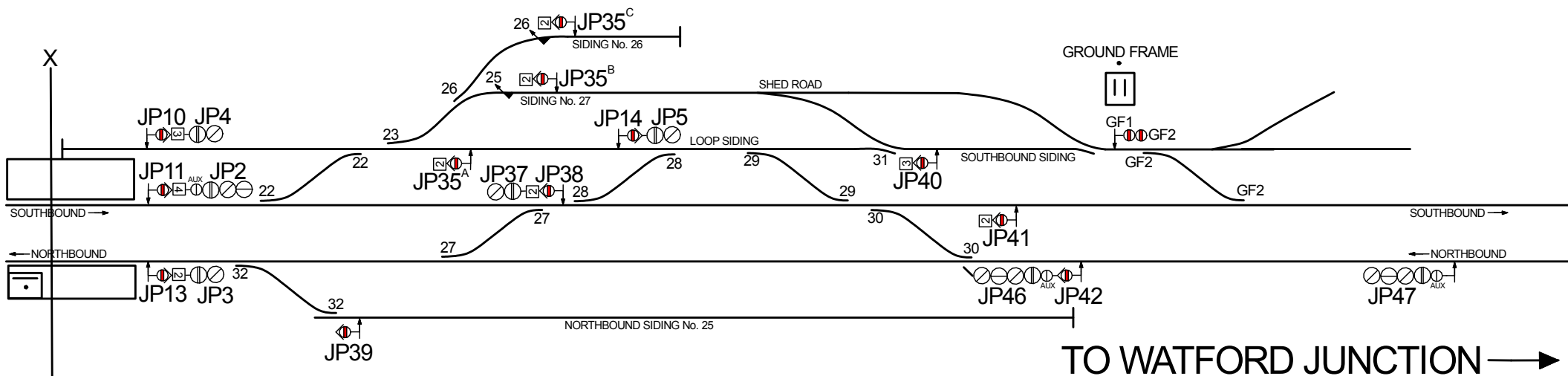
RICKMANSWORTH

1953, 1961 & 1996

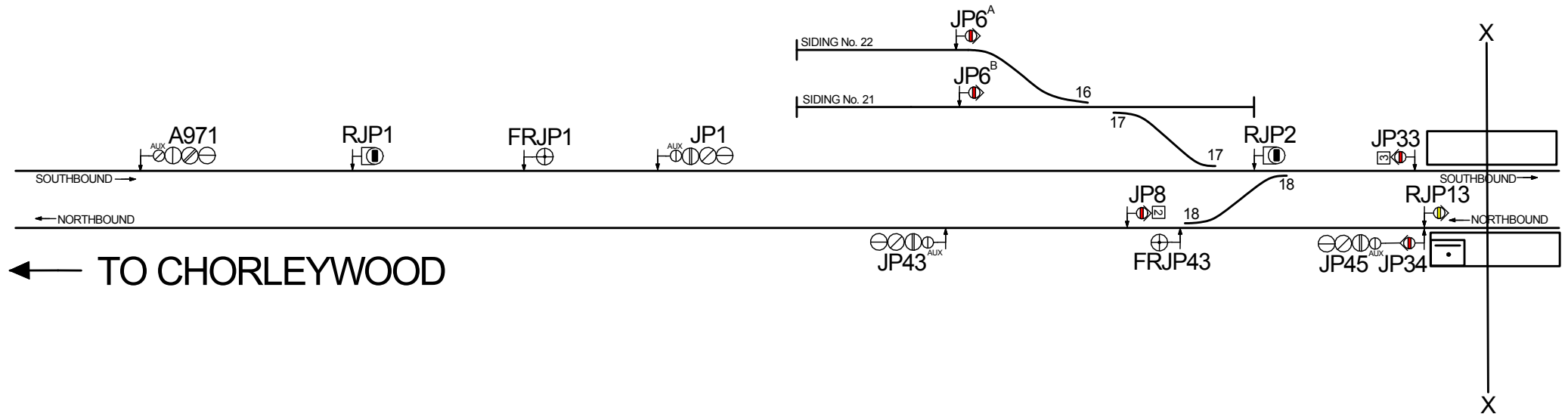


RICKMANSWORTH JP

(1953)

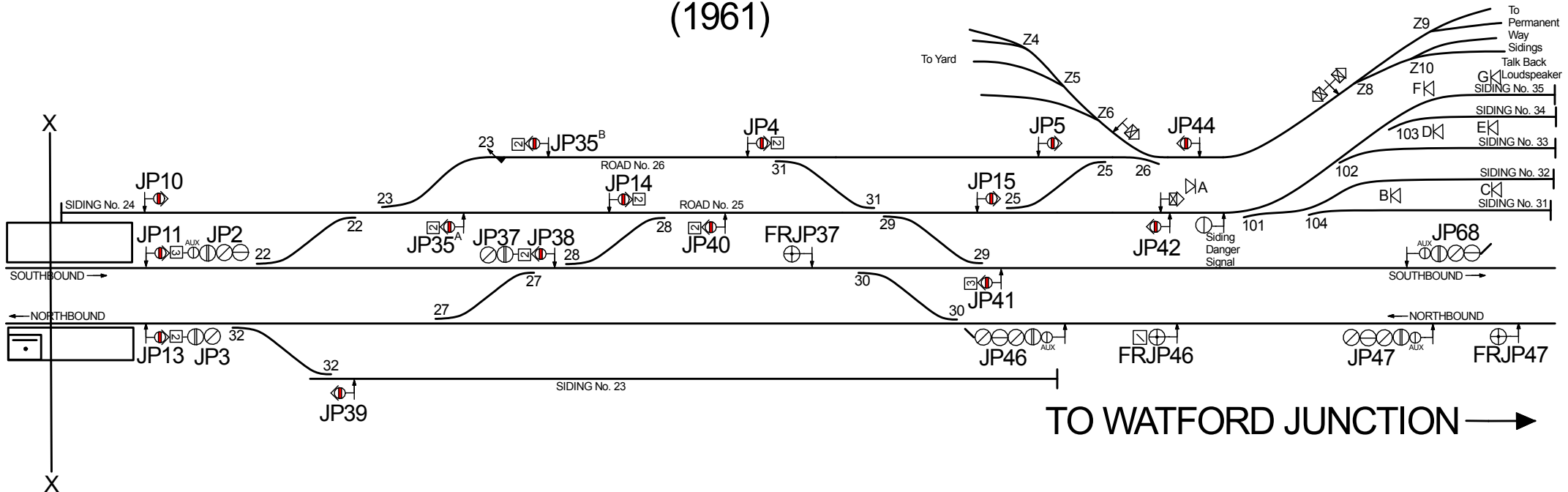


No. 7 Emergency Release Lever. No. 15 Ground Frame Release Lever.

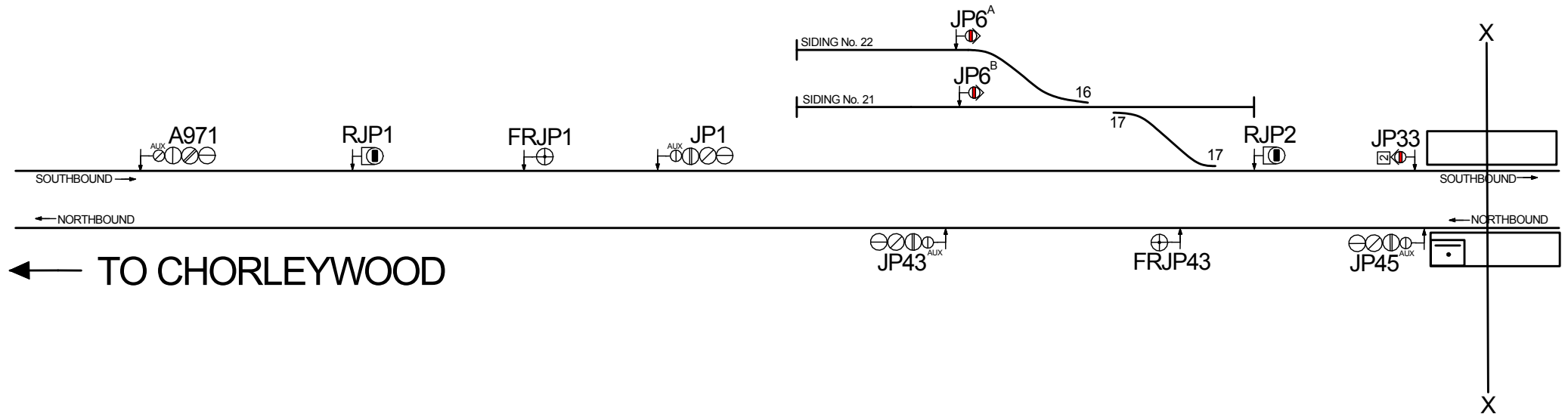


RICKMANSWORTH JP

(1961)



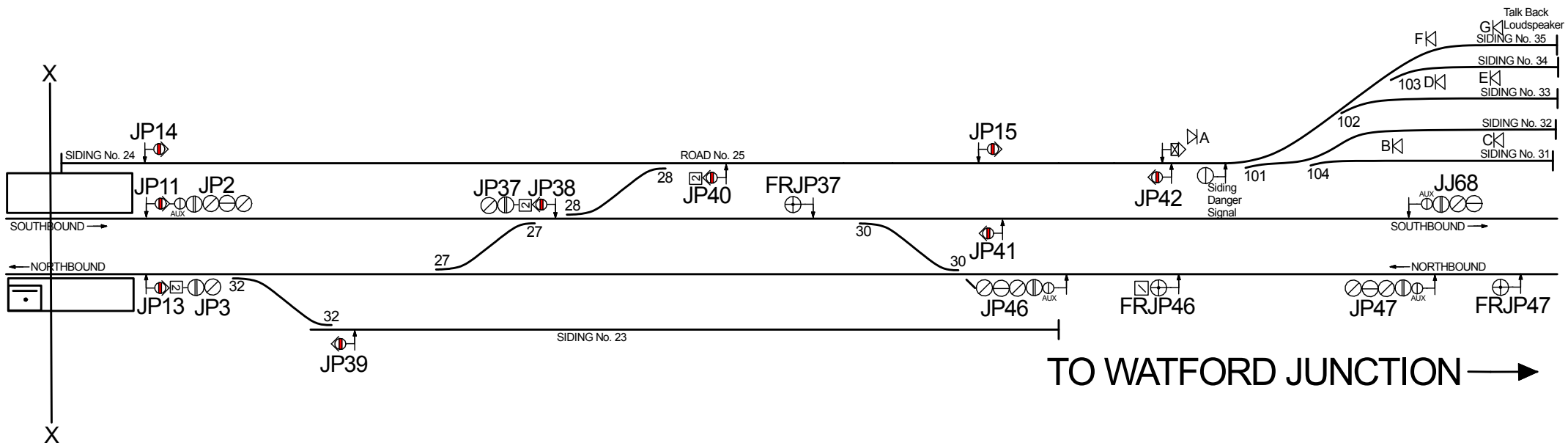
No. 7 Emergency Release Lever. No. 12 Southbound King Lever. No. 36 Northbound King Lever



← TO CHORLEYWOOD

RICKMANSWORTH JP

(1996)



TO WATFORD JUNCTION →

No. 7 Emergency Release Lever. No. 12 Southbound King Lever. No. 36 Northbound King Lever