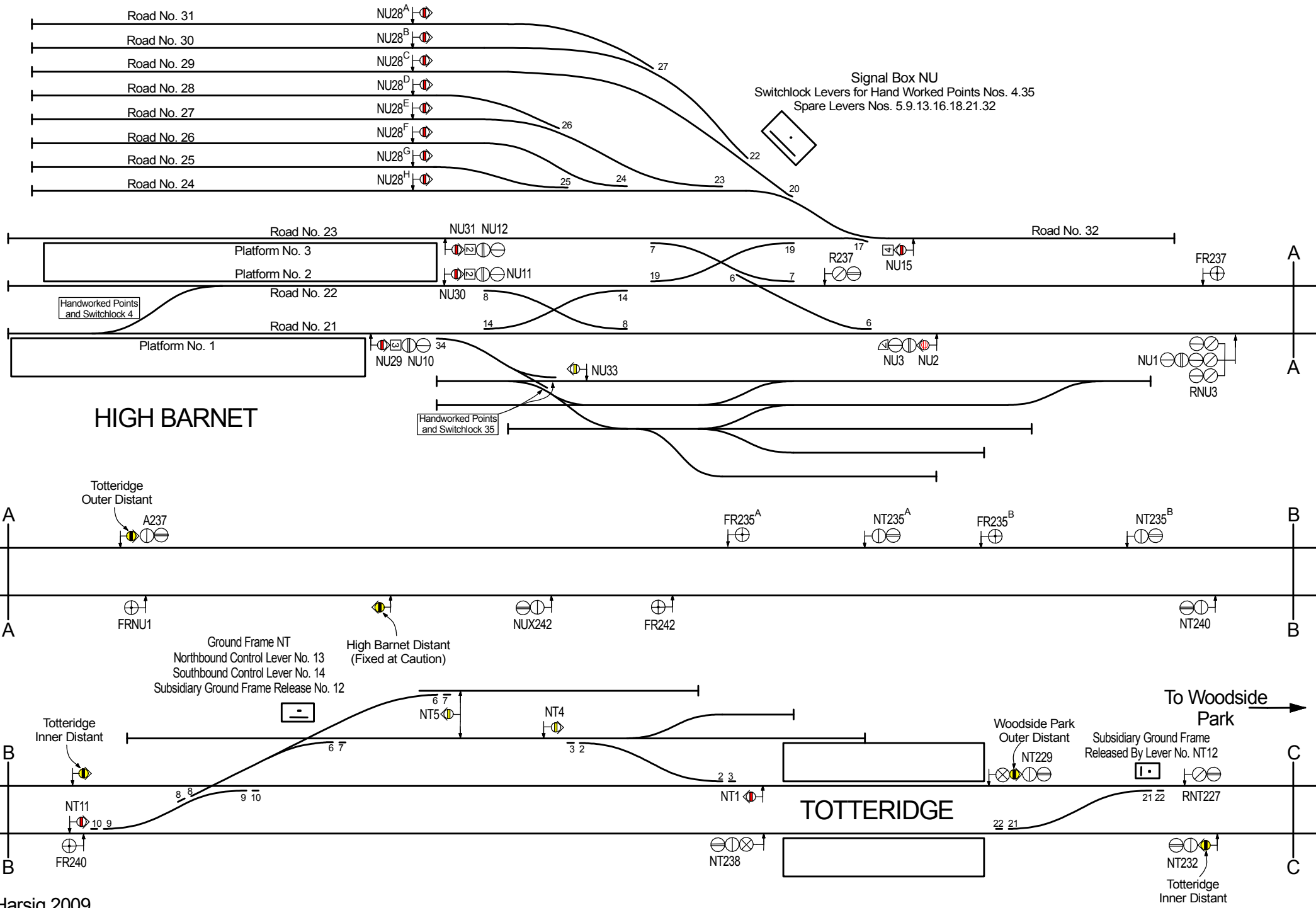
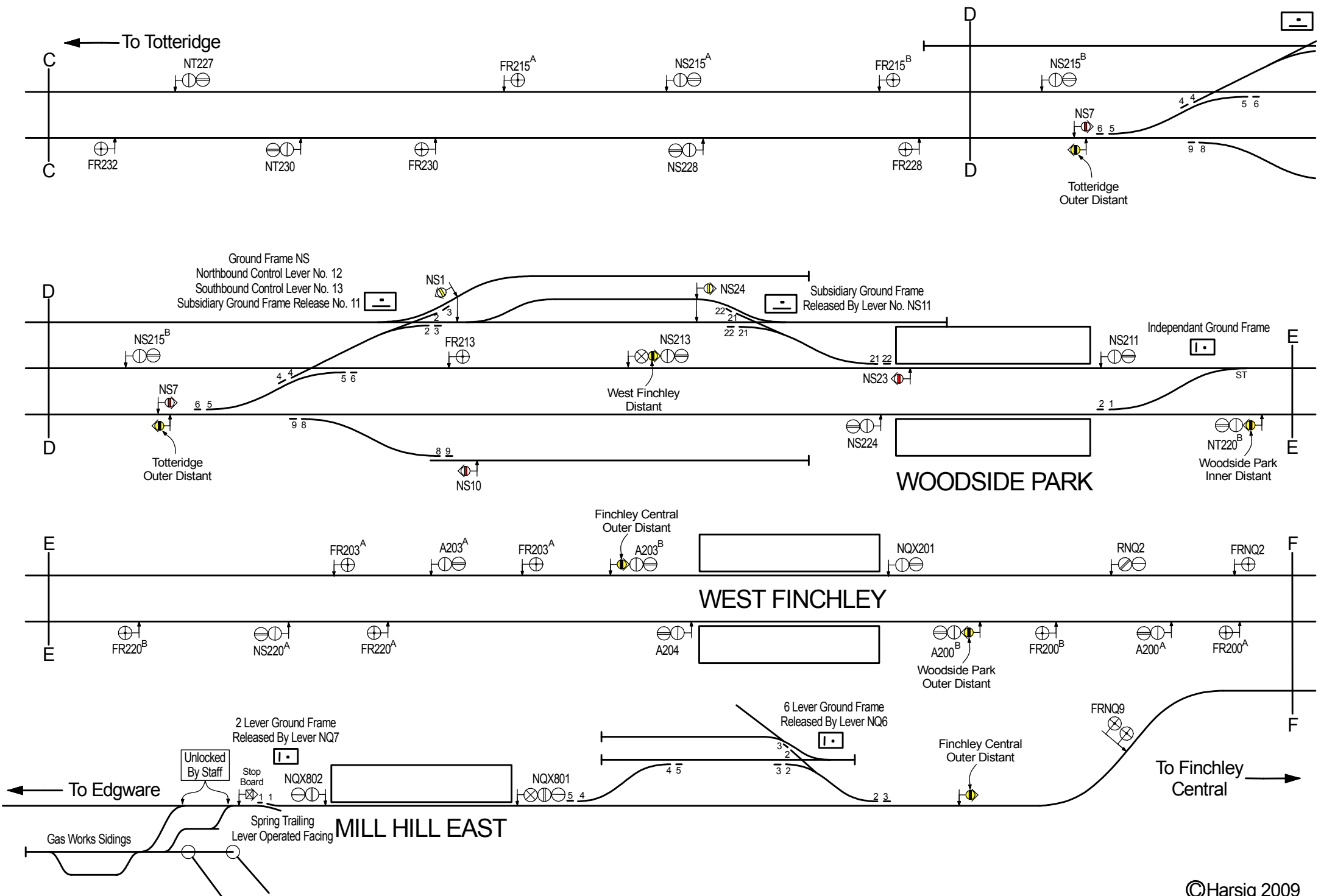


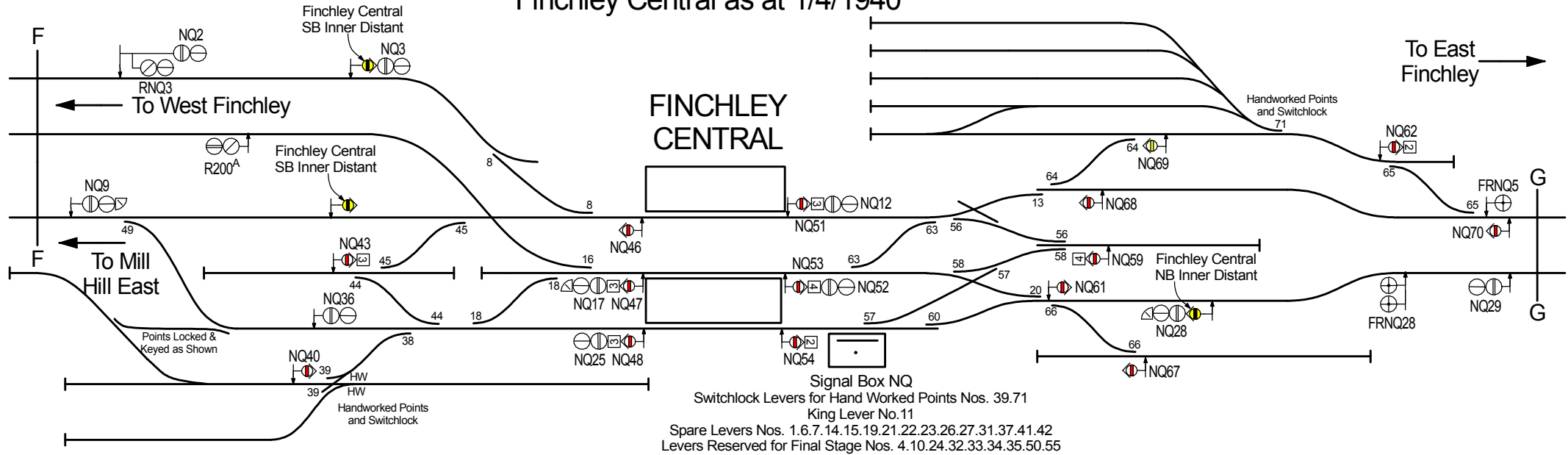
NORTHERN LINE EXTENSIONS 1939-1941

Archway & Park Junction
to
Mill Hill East & High Barnet

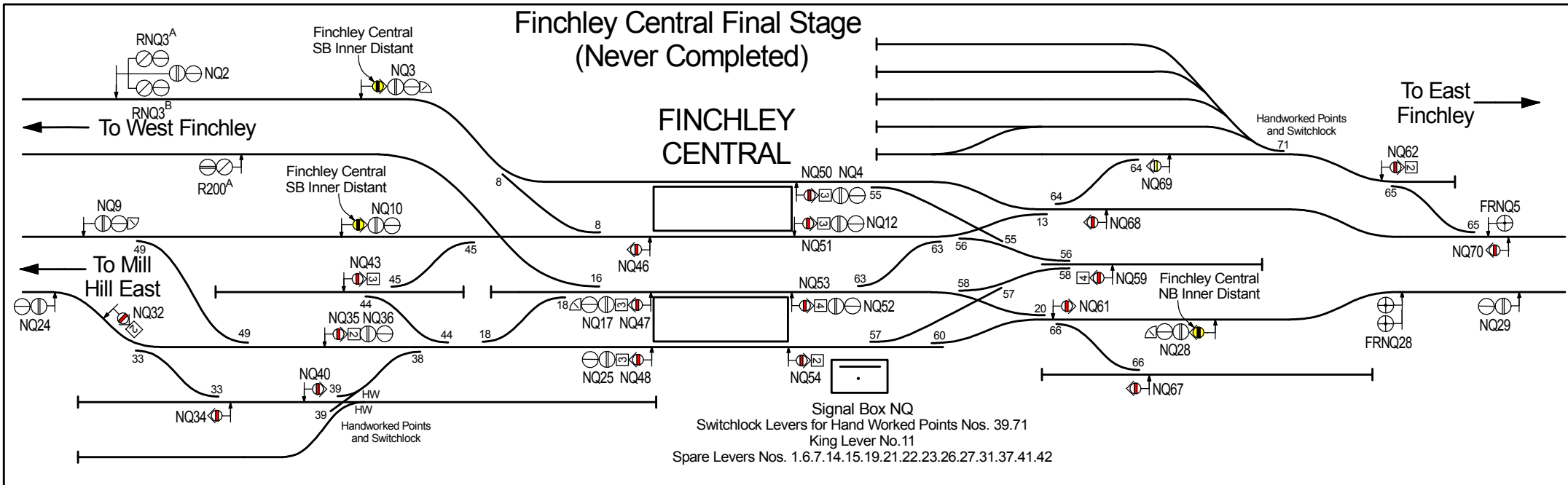


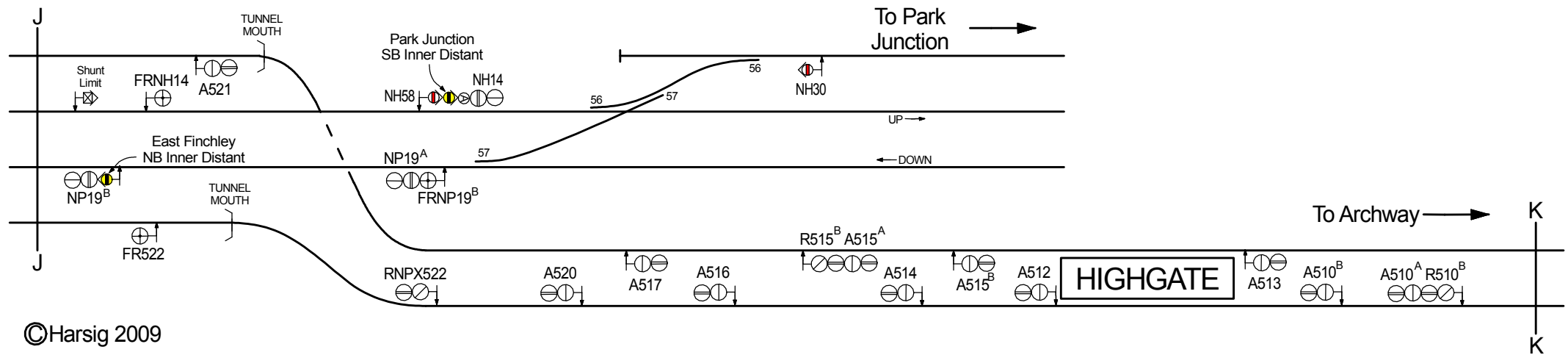
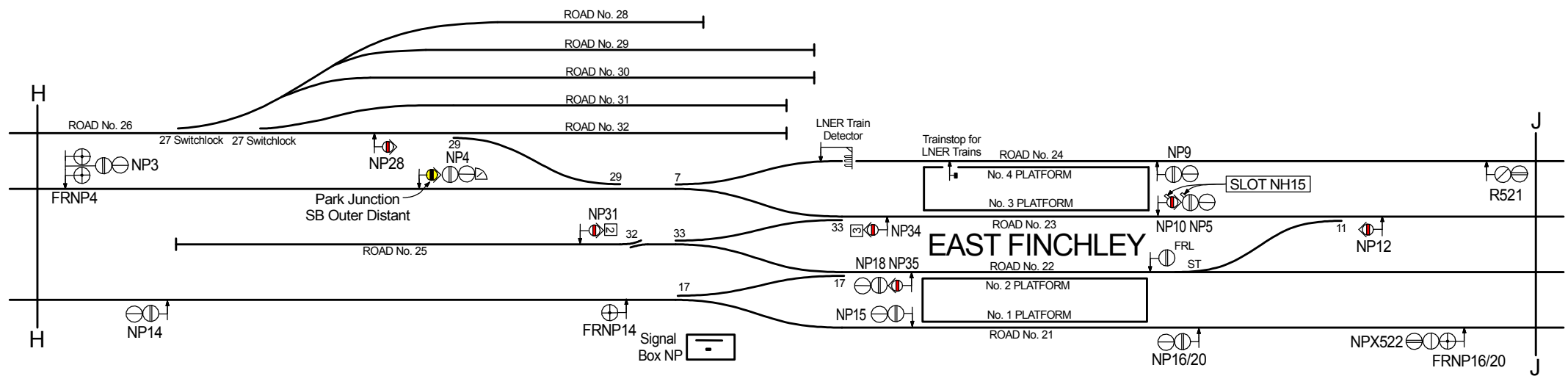
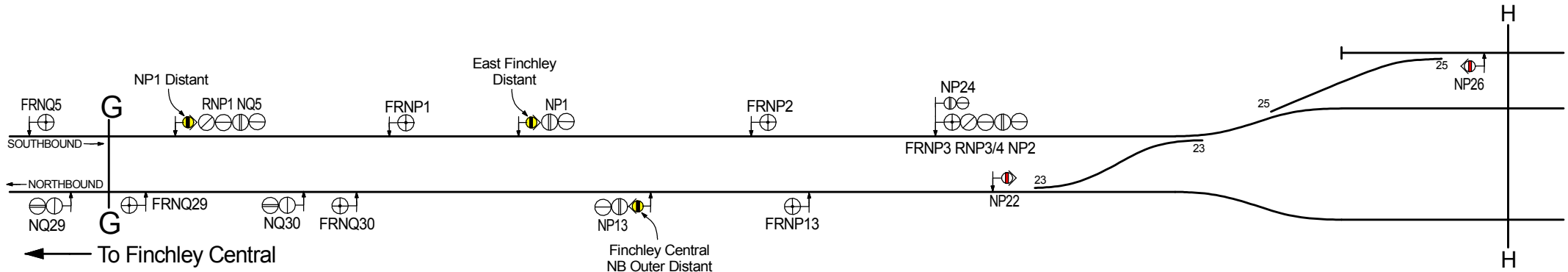


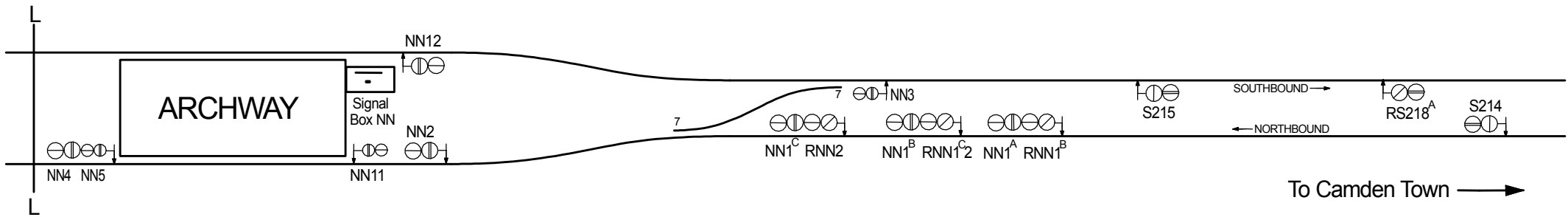
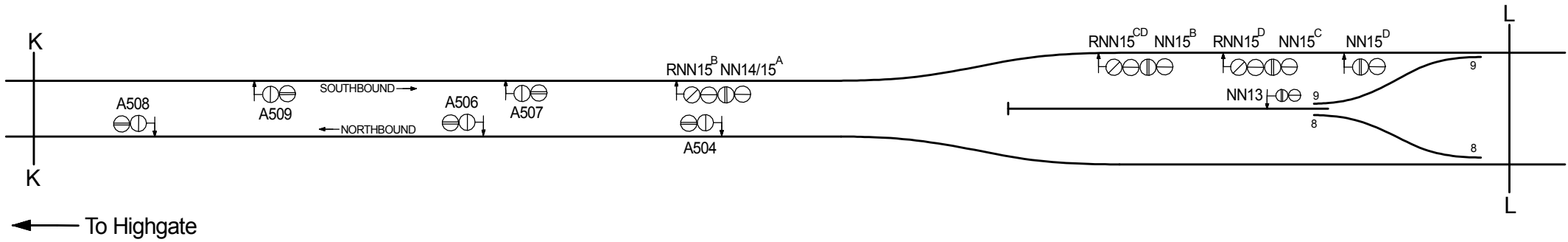
Finchley Central as at 1/4/1940



Finchley Central Final Stage (Never Completed)







← To Muswell Hill

CRANLEY GARDENS

To Park Junction →

M



UP →

← DOWN



TEMPORARY SIDING

ROAD No. 33

ROAD No. 32

ROAD No. 31

ROAD No. 30

ROAD No. 29

ROAD No. 28

ROAD No. 27

ROAD No. 26

ROAD No. 25

Keyed and Clipped Normal

← To East Finchley

J

TUNNEL MOUTH

Park Junction SB Inner Distant

ROAD No. 37

NH60

NH29^F

NH29^E

NH29^D

NH29^C

NH29^B

ROAD No. 25



FRNH14



56

57



East Finchley NB Inner Distant

NP19^A

FRNP19^B

UP →

← DOWN

To Park Junction →



FR522

TUNNEL MOUTH



To Highgate →

ROAD No. 24



NH19^B



M

