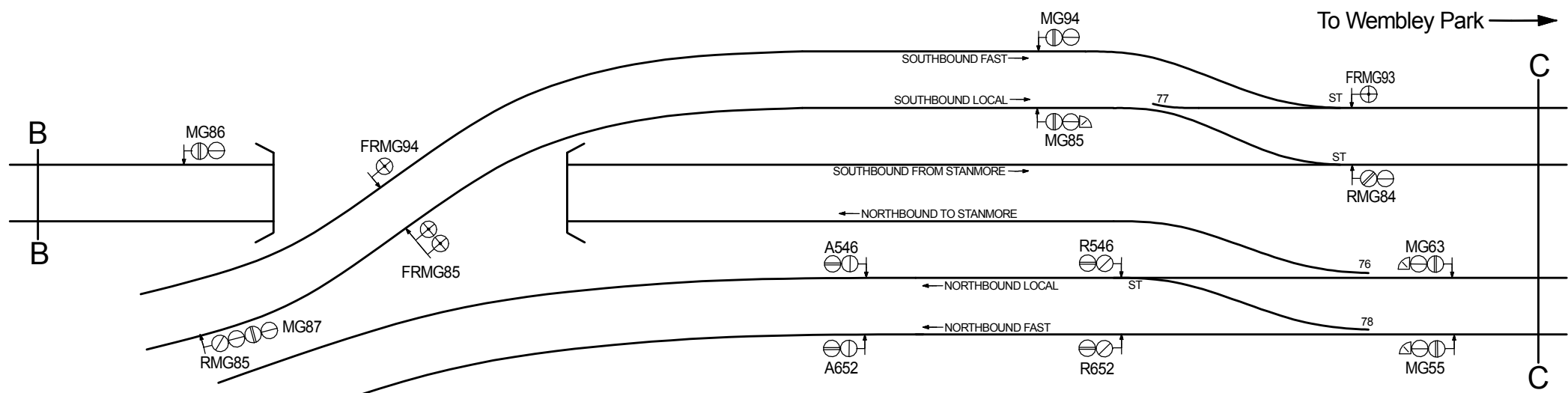
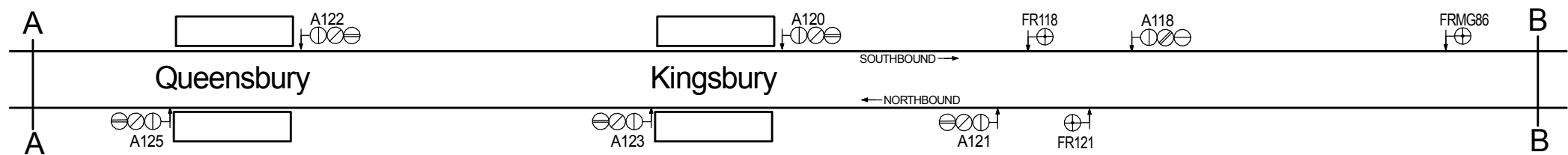
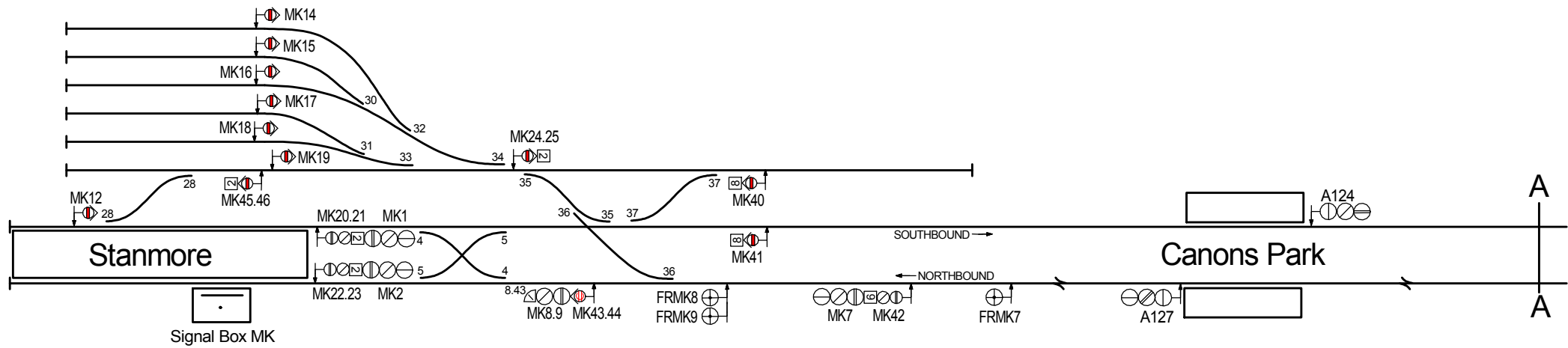
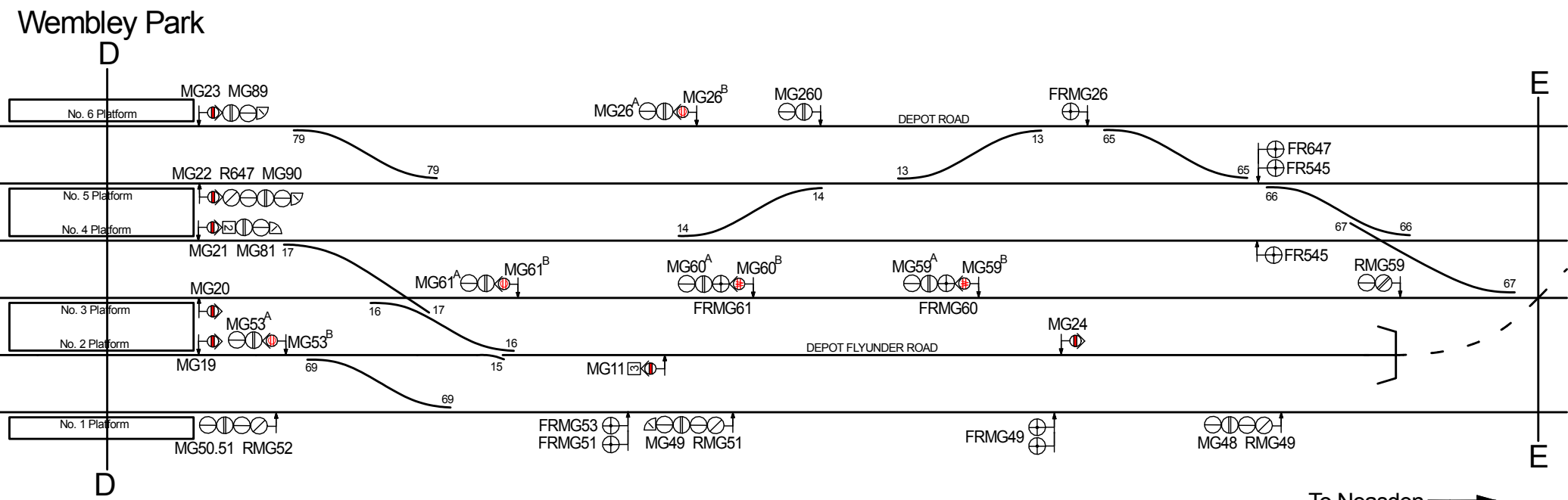
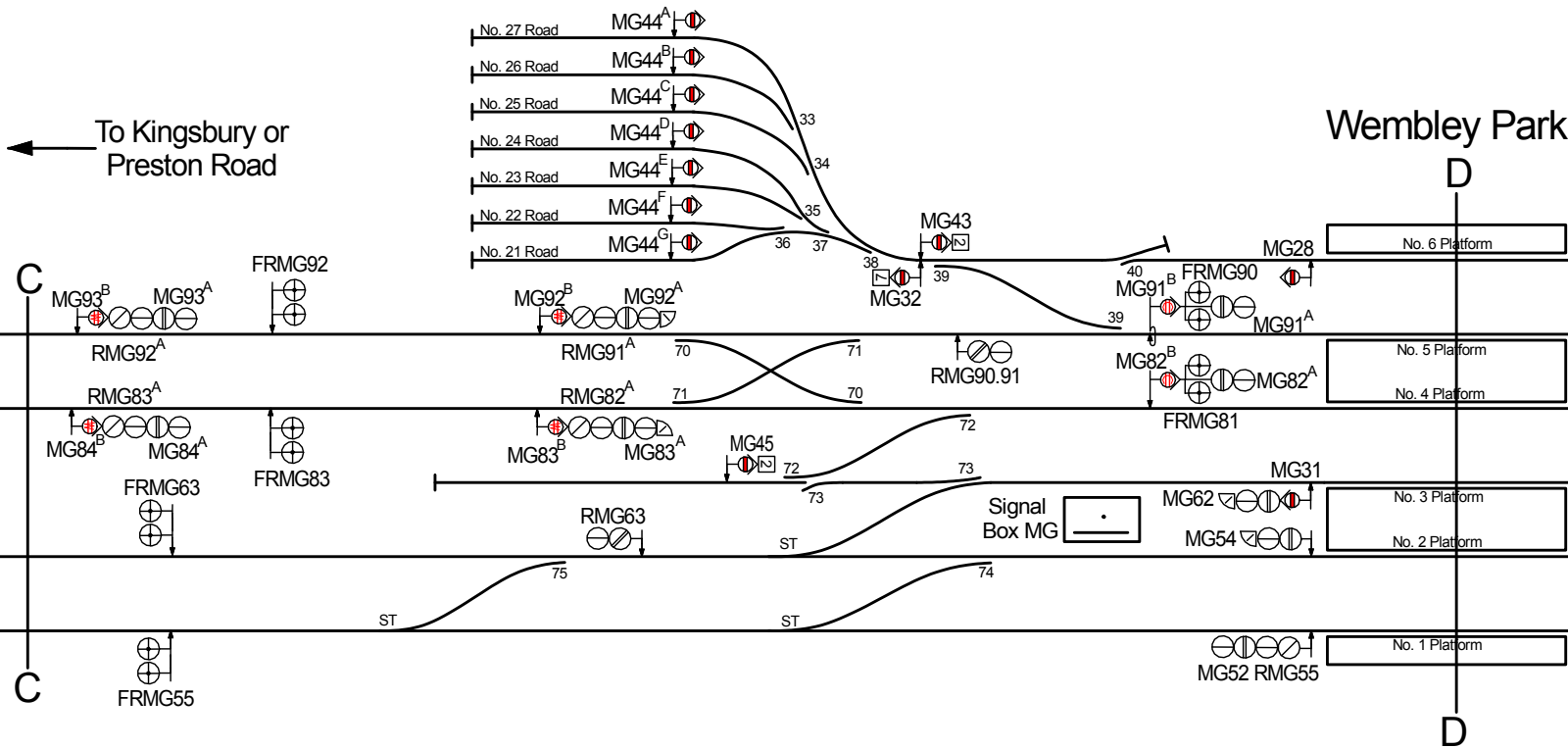


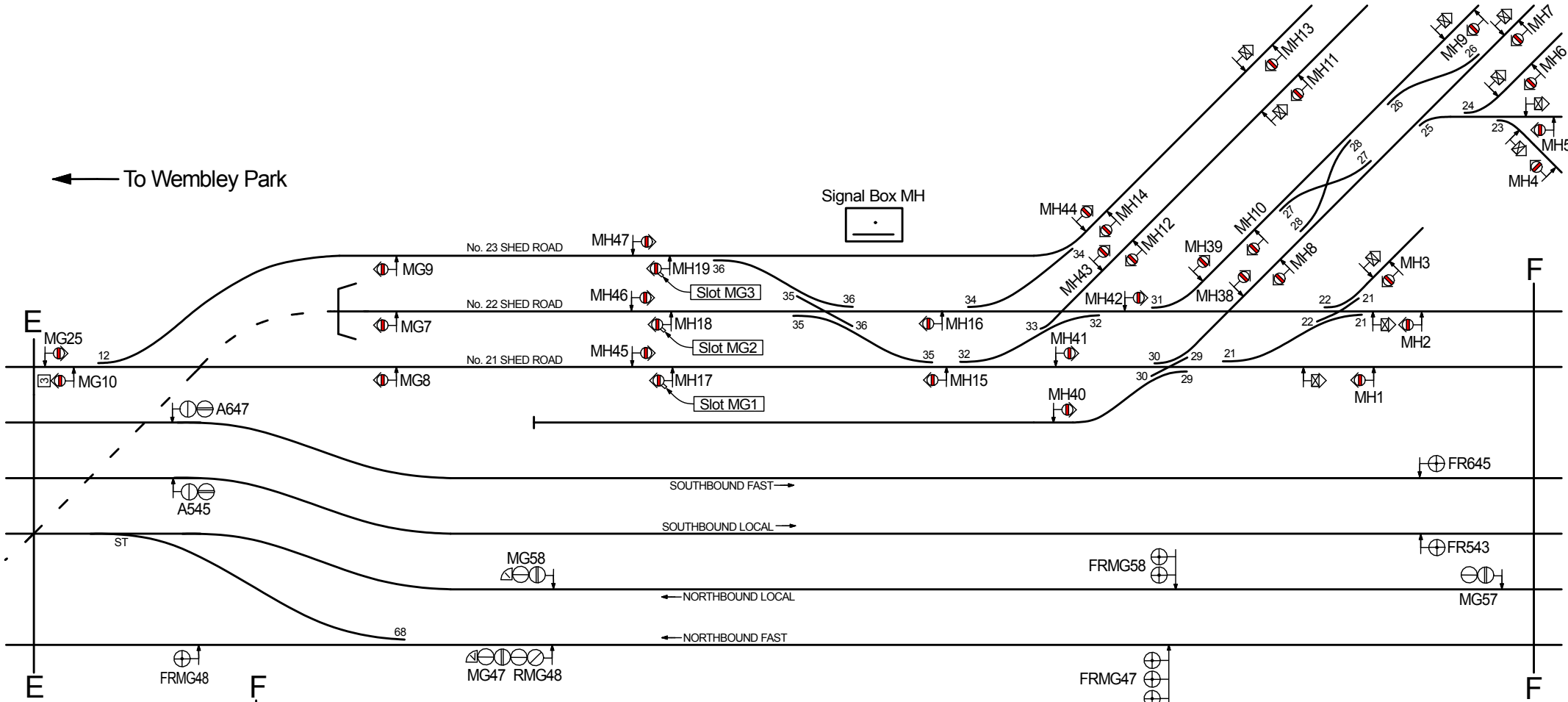
BAKERLOO LINE
Stanmore to
Elephant & Castle
1939





← To Wembley Park

Signal Box MH



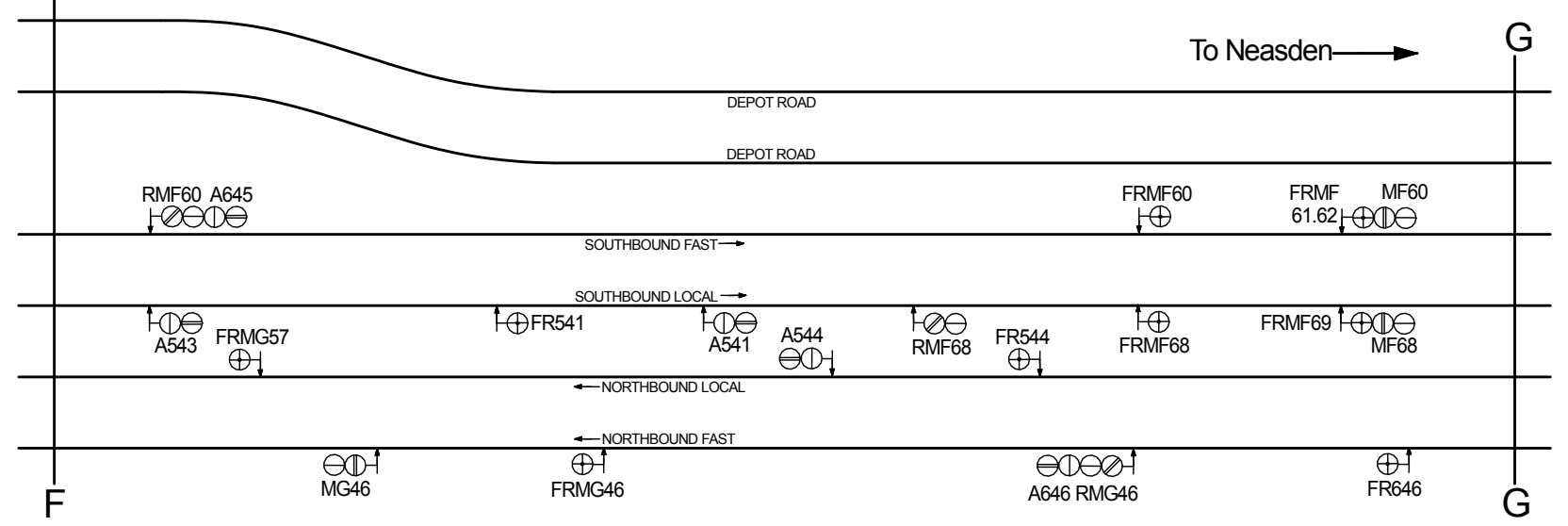
SOUTHBOUND FAST →

SOUTHBOUND LOCAL →

← NORTHBOUND LOCAL

← NORTHBOUND FAST

To Neasden →

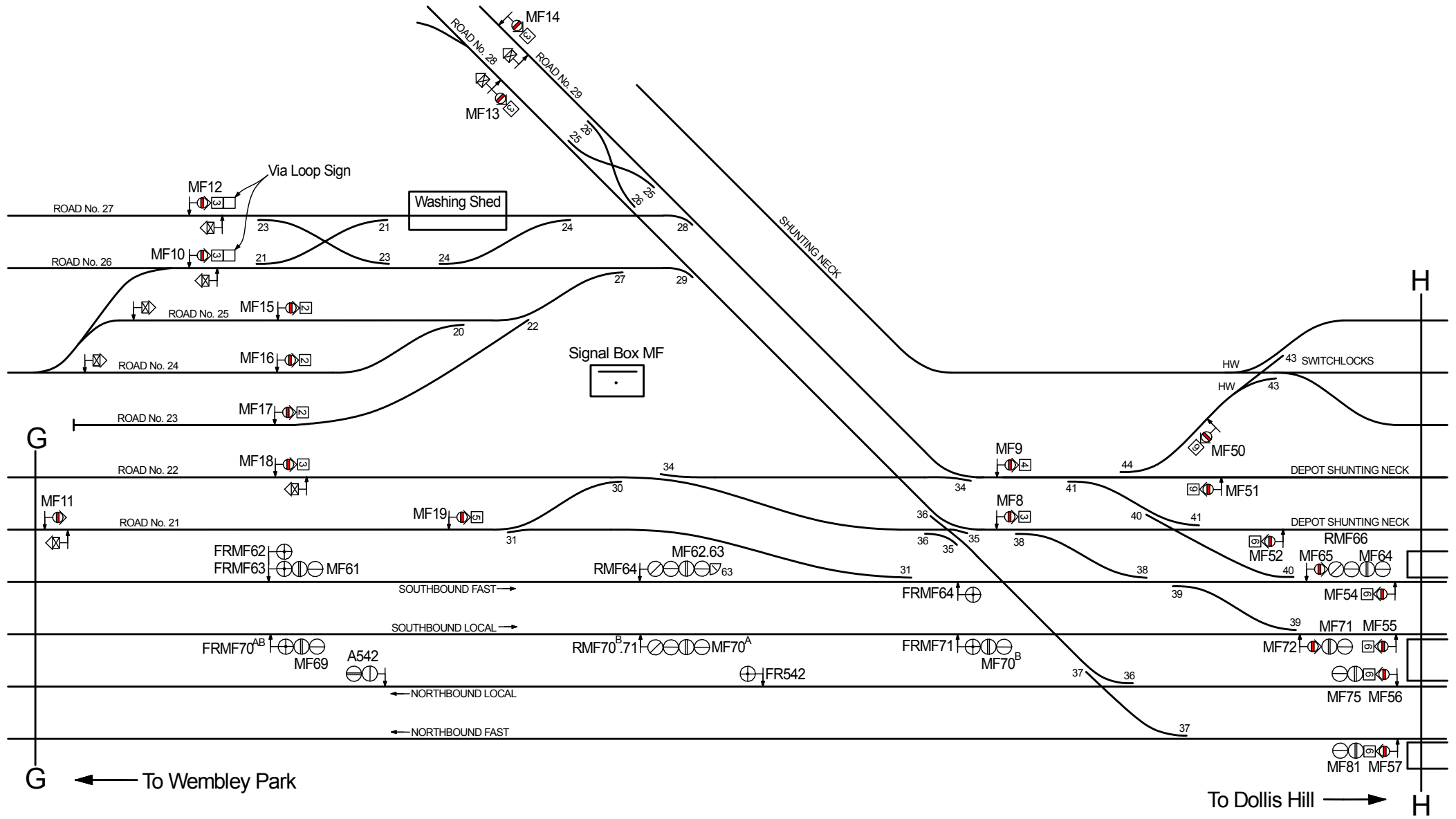


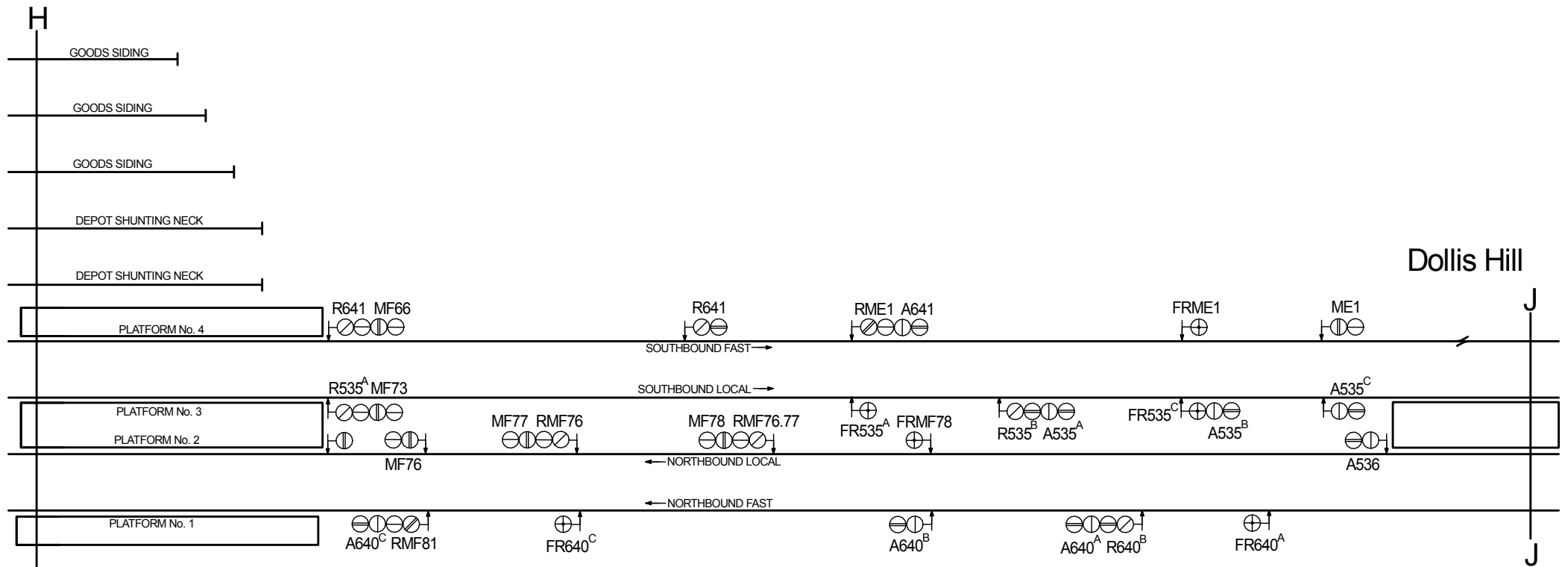
SOUTHBOUND FAST →

SOUTHBOUND LOCAL →

← NORTHBOUND LOCAL

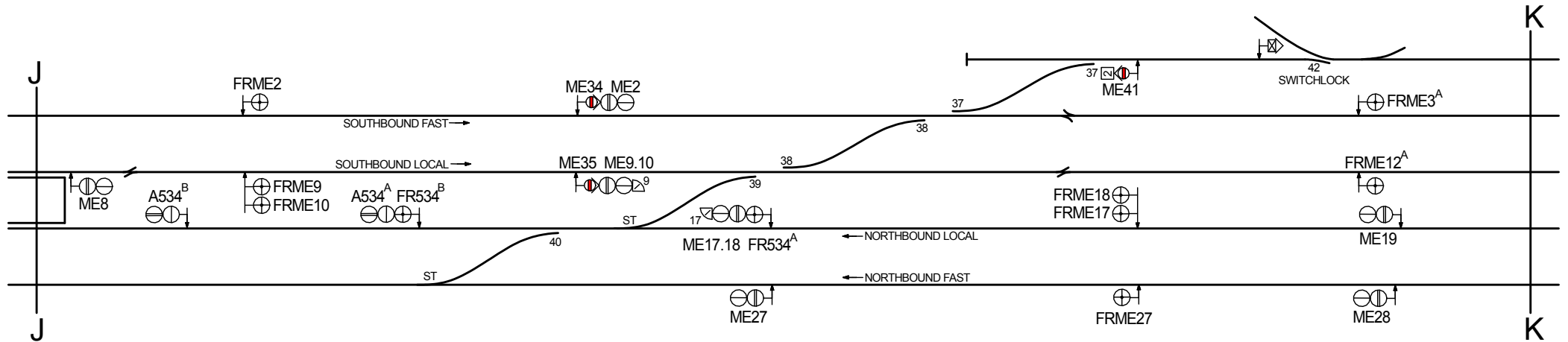
← NORTHBOUND FAST



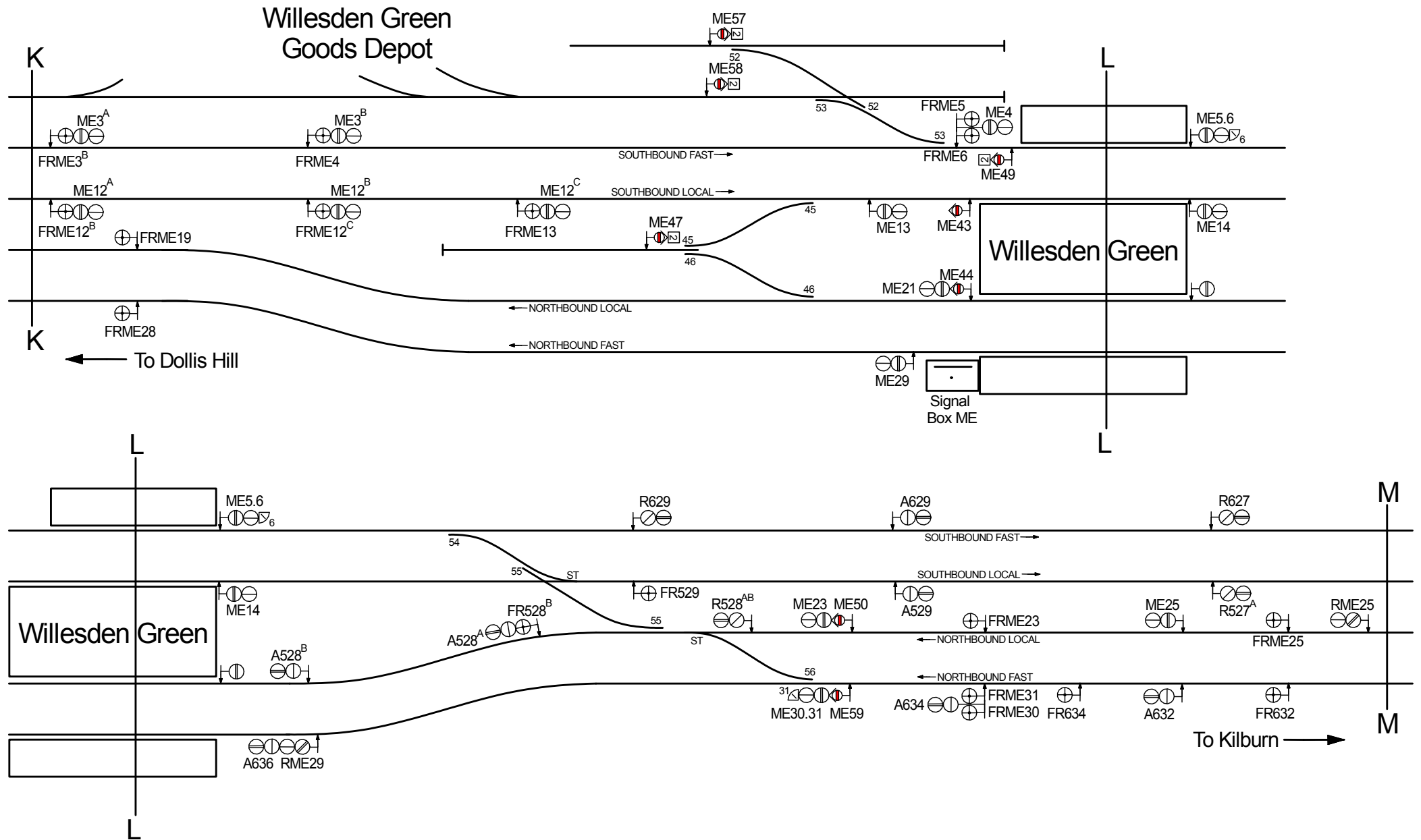


H Neasden
 ← To Wembley Park

Dollis Hill



To Willesden Green →



Kilburn & Brondesbury

